

MITSUBISHI

PROGRAMMABLE CONTROLLER

MELSEC-A

Mitsubishi General Use PC User's Manual

K/A Conversion Adaptor (Hardware)

Thank you for buying the Mitsubishi General Use PC MELSEC-A Series. Before use, please read this manual carefully and correctly operate the module with a sufficient understanding of the A series PC functions and performance.

Please place this manual in a location where it is available to end users.

MODEL	A6K/A-HENKAN-U-E
MODEL CODE	13JL34



IB (NA)-66802-B (9711) MEE

● SAFETY PRECAUTIONS ●

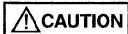
(Read these precautions before using.)

When using Mitsubishi equipment, thoroughly read this manual and the associated manuals introduced in the manual. Also pay careful attention to safety and handle the module properly.


These precautions apply only to Mitsubishi equipment. Refer to the CPU module user's manual for a description of the PC system safety precautions. These ● SAFETY PRECAUTIONS ● classify the safety precautions into two categories: "DANGER" and "CAUTION".



Procedures which may lead to a dangerous condition and cause death or serious injury if not carried out properly.



Procedures which may lead to a dangerous condition and cause superficial to medium injury, or physical damage only, if not carried out properly.

Depending on circumstances, procedures indicated by  CAUTION may also be linked to serious results.

In any case, it is important to follow the directions for usage.

Store this manual in a safe place so that you can take it out and read it whenever necessary. Always forward it to the end user.

[INSTALLATION PRECAUTIONS]

CAUTION

- Use the conversion adaptor in an environment that meets the general specifications contained in the CPU module user's manual. Using this conversion adaptor in an environment outside the range of the general specifications could result in electric shock, fire, malfunction, and damage to or deterioration of the product.
- Do not directly touch the conversion adaptor's conductive parts. Doing so could cause malfunction or failure in the system.
- Securely tighten the conversion adaptor with installation screws with the specified torque.
The conversion adaptor may fall out and cause breakdowns.

[WIRING PRECAUTIONS]

DANGER

- Make sure to switch all phases of the external power supply off before beginning wiring and installation work. If you do not switch off the external power supply, it will cause electric shock, or damage to the module.
- When turning on the power or operating the module after installation or wiring work, be sure the module's terminal covers of the K-series terminal block are correctly closed. Failure to close the terminal covers may result in electric shock

CAUTION

- When wiring the conversion adaptor, check the rated voltage and terminal layout of the wiring, and make sure the wiring is done correctly. Connecting a power supply that differs from the rated voltage or wiring it incorrectly may cause fire or failure.
- Securely tighten the terminal screws, K-series terminal block installation screws and K-series connector installation screws with the specified torque.
If the screws are loose, it may result in short circuits, fire or malfunction. Tightening the screws too far may cause damage to the screw and/or the conversion adaptor, resulting in fallout, short circuits, or malfunction.
- Be sure there are no foreign substances such as sawdust or wiring debris inside the module.

[STARTING AND MAINTENANCE PRECAUTIONS]

DANGER

- Do not touch the terminals and connectors while power is on. Doing so may cause electric shock or malfunction.
- Make sure to switch all phases of the external power supply off before cleaning or retightening terminal screws. If you do not switch off the external power supply, it will cause electric shock.
Tightening the screws too far may cause damages to the screws and/or the conversion adaptor resulting in fallout, short circuits, or malfunction.

CAUTION

- Do not disassemble or modify the conversion adaptor.
Doing so could cause failure, malfunction, injury, or fire.
- The conversion adaptor case is made of resin. Do not drop the case or apply strong shock to it.
Doing so may damage the conversion adaptor.

[DISPOSAL PRECAUTIONS]

CAUTION

- When disposing of this product, treat it as industrial waste.

Revisions

* The manual number is noted at the lower left of the back cover.

Print Date	*Manual Number	Revision	
Aug. 1997	IB (NA)-66802-A	First printing	
Nov. 1997	IB (NA)-66802-B	<table border="1"><tr><td>Correction</td></tr></table> Chapter 2, Section 3.11, 3.12	Correction
Correction			

This manual does not imply guarantee or implementation right for industrial ownership or implementation of other rights. Mitsubishi Corporation is not responsible for industrial ownership problems caused by use of the contents of this manual.

Table of Contents

About This Manual

1. OVERVIEW	1
1.1 Overview	1
1.2 Features	1
1.3 Installation Example	1
2. K/A CONVERSION ADAPTOR SPECIFICATIONS	2
3. CONNECTION FIGURE	3
3.1 A6KA-TX10, A6KA-TX20 Connection Figure	3
3.2 A6KA-TX40 Connection Figure	4
3.3 A6KA-TY10, A6KA-TY11 Connection Figure (Refer to Section 5.3 Restricted Matters for Using)	5
3.4 A6KA-TY22 Connection Figure	6
3.5 A6KA-TY40 Connection Figure	7
3.6 A6KA-TX11, A6KA-TX21 Connection Figure	8
3.7 A6KA-TX41 Connection Figure	9
3.8 A6KA-TY13 Connection Figure (Refer to Section 5.3 Restricted Matters for Using)	10
3.9 A6KA-TY23 Connection Figure	11
3.10 A6KA-TY41 (Refer to Section 5.3 Restricted Matters for Using), A6KA-TY51 Connection Figure	12
3.11 A6KA-CX42 Connection Figure	13
3.12 A6KA-CY42 Connection Figure (Refer to Section 5.3 Restricted Matters for Using)	15
3.13 A6KA-CH32 Connection Figure	17
4. PART IDENTIFICATION	19
5. HANDLING	20
5.1 Precautions for Handling/Installation and Handling Method	20
5.2 Installation Screws	20
5.3 Restricted Matters for Using	20
5.4 Terminal Block for External Power Supply Connection	21
6. External Dimensions Diagram	22
6.1 Terminal-Block-Type Conversion Adaptor	22
6.2 Connector-Type Conversion Adaptor	23

About This Manual

The following are manuals related to this product.

Request for the manuals as needed according to the chart below.

Related Manuals

Manual Name	Manual No. (Model Code)
Building Block Type I/O Module User's Manual	IB-66140 (13J643)

1. OVERVIEW

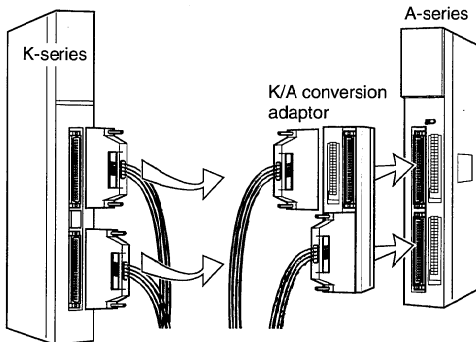
1.1 Overview

This manual describes about the K/A conversion adaptor. The K/A conversion adaptor converts the different pin assignments between the MELSEC-K series and the MELSEC-A series.

1.2 Features

- (1) Time required for replacing the K-series with the A-series has been dramatically reduced.
The terminal block and connector of the MELSEC-K I/O module can be connected to the MELSEC-A I/O module without changing the wire arrangement. In addition, it requires no special tools, so the connection can be made quickly.
- (2) Integration with the A-series
The appearance is integrated with the MELSEC-A series. Not only that, but the general specifications, integrity and security of the MELSEC-A series are still the same with the adaptor.
- (3) Easy installation onto the A-series
The K/A conversion adaptor facilitates easy connection and disconnection, since it is shared with the terminal block and the connector installation area to the A-series, and thus no extra part is required.

1.3 Installation Example



2. K/A CONVERSION ADAPTOR SPECIFICATIONS

Model	Corresponding K-series module	Type	Connection points	Corresponding A-series module	Weight (Kg (lb))
A6KA-TX10	KX10, KX10N	K-series terminal block (20 points)	16 points	AX10	0.18 (0.40)
A6KA-TX20	KX20, KX20N			AX20	0.18 (0.40)
A6KA-TX40	KX40, KX40N	AX40		0.18 (0.40)	
A6KA-TY10	KY10, KY10N	↓		AY10	0.18 (0.40)
A6KA-TY11	KY11, KY11N	A-series terminal block (20 points)		AY11	0.18 (0.40)
A6KA-TY22	KY22, KY22N	AY22		0.18 (0.40)	
A6KA-TY40	KY40, KY40N	AY40	0.18 (0.40)		
A6KA-TX11	KX11N	K-series terminal block (40 points)	32 points	AX11	0.18 (0.40)
A6KA-TX21	KX21N			AX21	0.18 (0.40)
A6KA-TX41	KX41N	AX41		0.18 (0.40)	
A6KA-TY13	KY13N	↓		AY13	0.18 (0.40)
A6KA-TY23	KY23N	A-series terminal block (38 points)		AY23	0.18 (0.40)
A6KA-TY41	KY41N	AY41		0.18 (0.40)	
A6KA-TY51	KY51N	AY51	0.18 (0.40)		
A6KA-CX42	KX42N	K-series connector (2 units)	64 points	AX42	0.10 (0.22)
A6KA-CY42	KY42N			↓	AY42
A6KA-CH32	KH32	A-series connector (2 units)		AH42	0.10 (0.22)

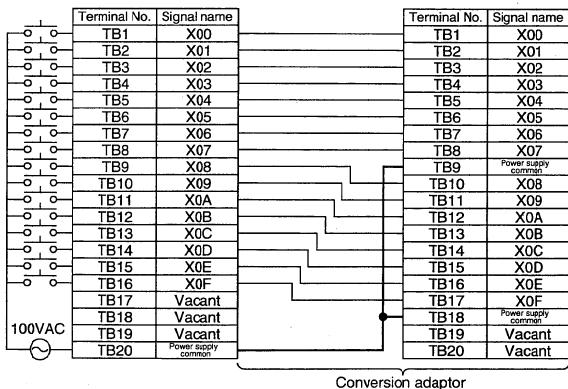
General specification

For the general specification, refer to the general specification described in the Building Block Type I/O Module User's Manual to be used.

3. CONNECTION FIGURE

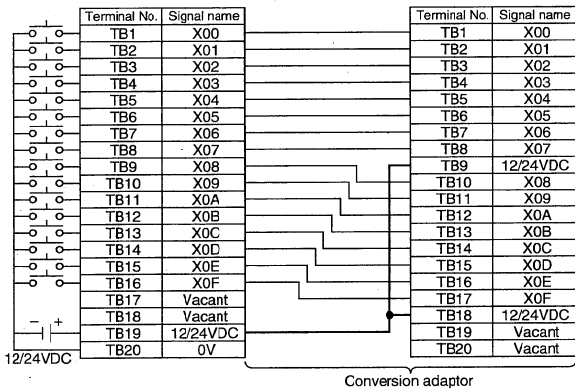
3.1 A6KA-TX10, A6KA-TX20 Connection Figure

Adaptor name	K-series module name	Number of connection	A-series module name
A6KA-TX10	KX10/KX10N	16 points	AX10
A6KA-TX20	KX20/KX20N	16 points	AX20



3.2 A6KA-TX40 Connection Figure

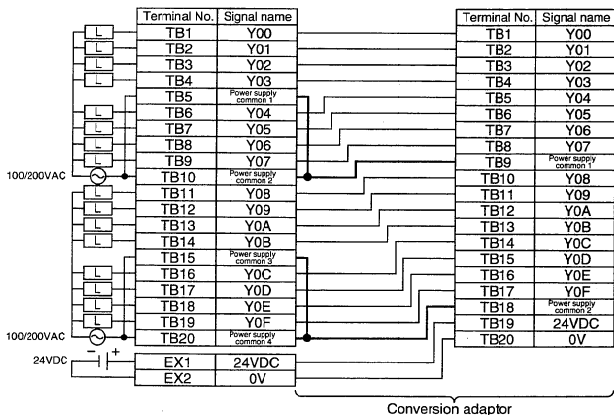
Adaptor name	K-series module name	Number of connection	A-series module name
A6KA-TX40	KX40/KX40N	16 points	AX40



3.3 A6KA-TY10, A6KA-TY11 Connection Figure (Refer to Section 5.3 Restricted Matters for Using)

Adaptor name	K-series module name	Number of connection	A-series module name
A6KA-TY10	KY10/KY10N	16 points	AY10
A6KA-TY11	KY11/KY11N	16 points	AY11

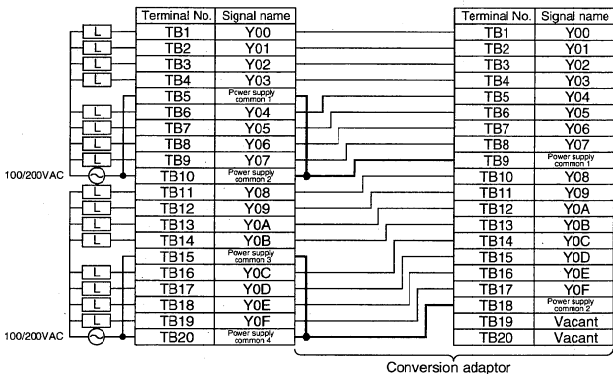
(Use the same power supply for the power supply commons 1 and 2, and for 3 and 4 on the K-series side, since they are internally connected.)



3.4 A6KA-TY22 Connection Figure

Adaptor name	K-series module name	Number of connection	A-series module name
A6KA-TY22	KY22/KY22N	16 points	AY22

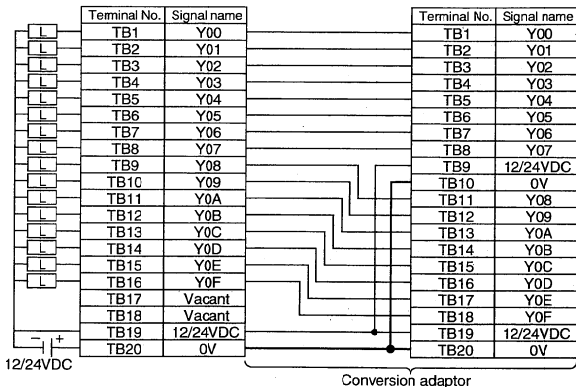
(Use the same power supply for the power supply commons 1 and 2, and for 3 and 4 on the K-series side, since they are internally connected.)



3.5 A6KA-TY40 Connection Figure

Adaptor name	K-series module name	Number of connection	A-series module name
A6KA-TY40	KY40/KY40N	16 points	AY40

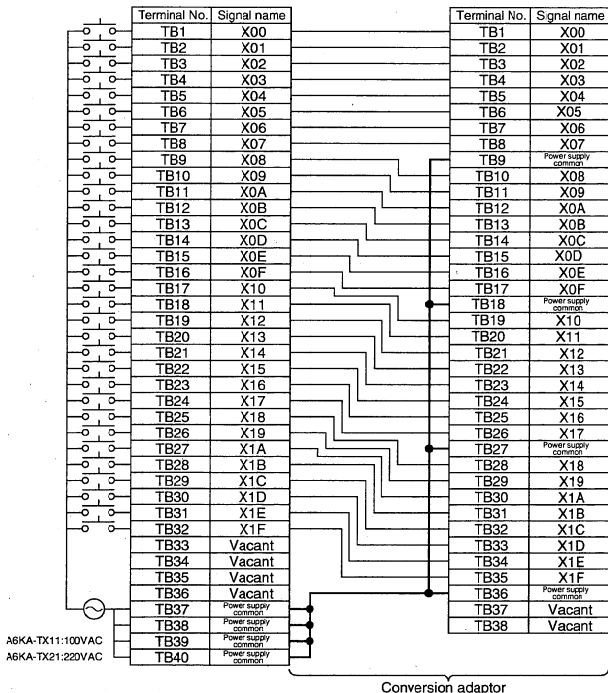
(Use the same power supply for the terminal number TB10 and TB20 on the A-series side, since they are internally connected.)



3.6 A6KA-TX11, A6KA-TX21 Connection Figure

Adaptor name	K-series module name	Number of connection	A-series module name
A6KA-TX11	KX11N	32 points	AX11
A6KA-TX21	KX21N	32 points	AX21

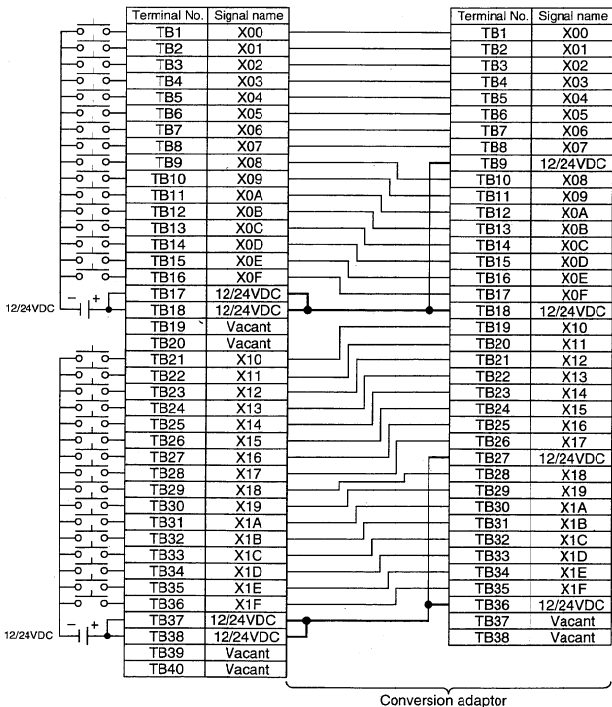
(Use the same power supply for the terminal number TB9, TB18, TB27 and TB36 on the A-series side, since they are internally connected.)



3.7 A6KA-TX41 Connection Figure

Adaptor name	K-series module name	Number of connection	A-series module name
A6KA-TX41	KX41N	32 points	AX41

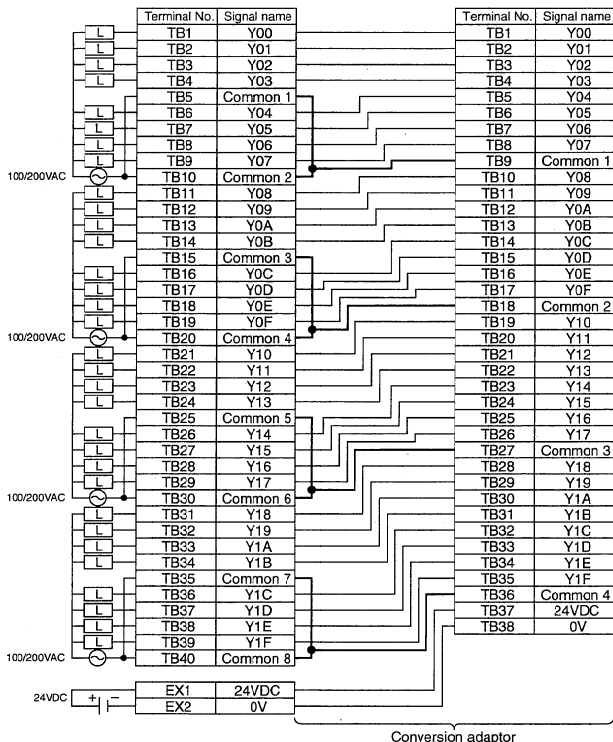
(Use the same power supply for the terminal number TB9 and TB18, and for TB27 and TB36 on the A-series side, since they are internally connected.)



3.8 A6KA-TY13 Connection Figure (Refer to Section 5.3 Restricted Matters for Using)

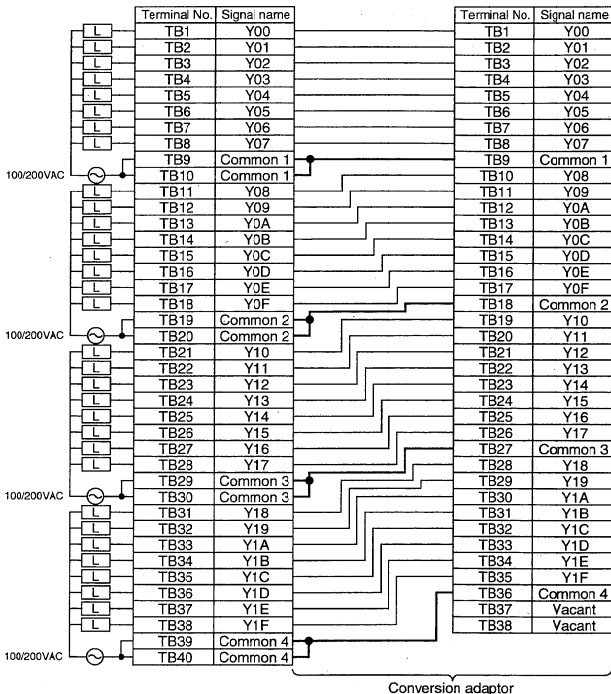
Adaptor name	K-series module name	Number of connection	A-series module name
A6KA-TY13	KY13N	32 points	AY13

(Use the same power supply for the commons 1 and 2, for 3 and 4, for 5 and 6, and for 7 and 8 on the K-series side, since they are internally connected.)



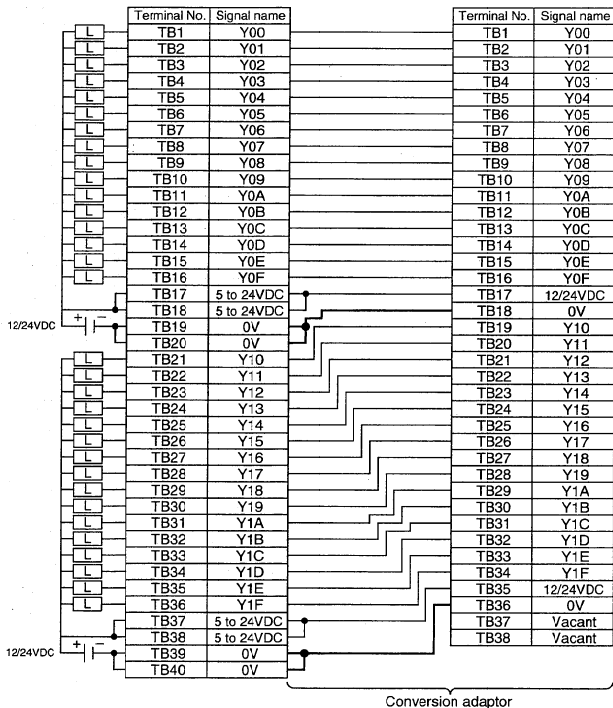
3.9 A6KA-TY23 Connection Figure

Adaptor name	K-series module name	Number of connection	A-series module name
A6KA-TY23	KY23N	32 points	AY23



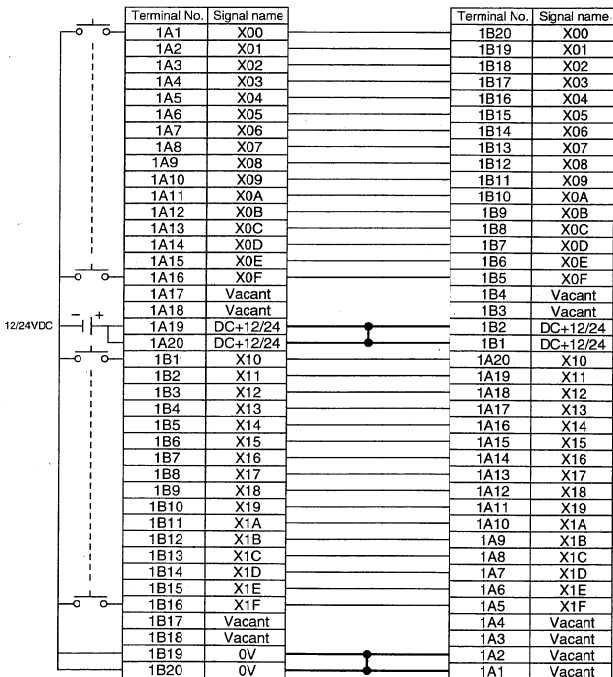
3.10 A6KA-TY41 (Refer to Section 5.3 Restricted Matters for Using), A6KA-TY51 Connection Figure

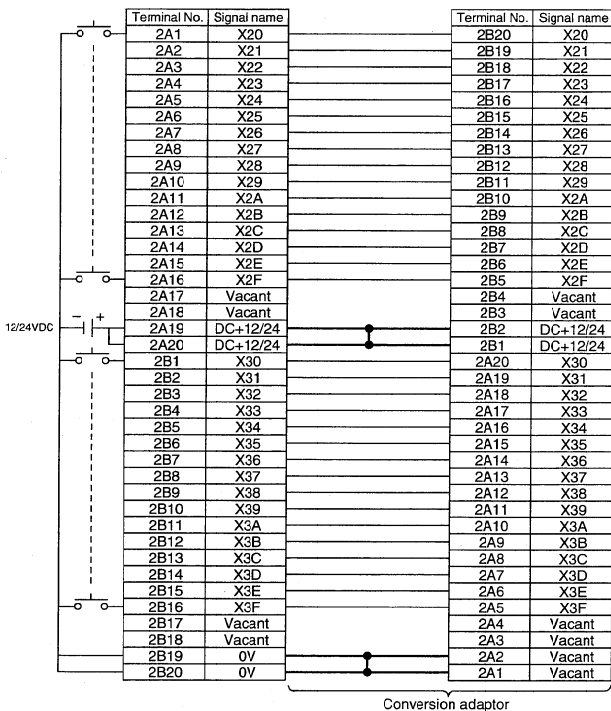
Adaptor name	K-series module name	Number of connection	A-series module name
A6KA-TY41	KY41N	32 points	AY41
A6KA-TY51	KY51N	32 points	AY51



3.11 A6KA-CX42 Connection Figure

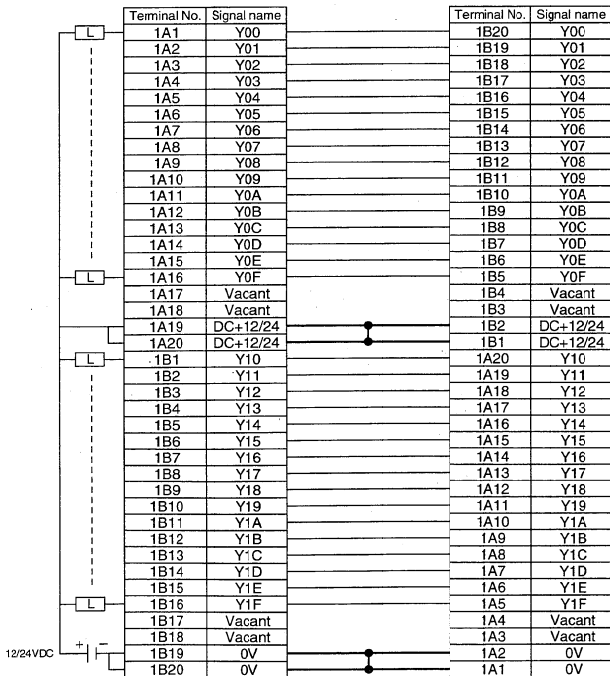
Adaptor name	K-series module name	Number of connection	A-series module name
A6KA-CX42	KX42N	64 points	AX42

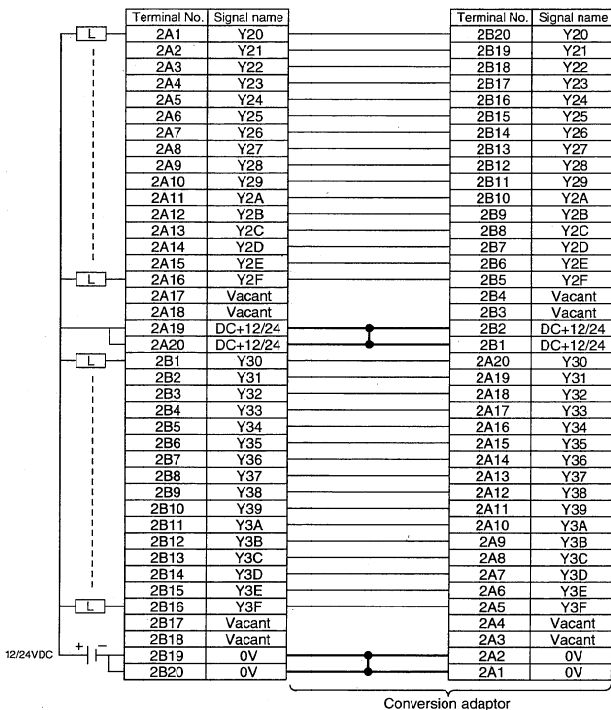




3.12 A6KA-CY42 Connection Figure (Refer to Section 5.3 Restricted Matters for Using)

Adaptor name	K-series module name	Number of connection	A-series module name
A6KA-CY42	KY42N	64 points	AY42

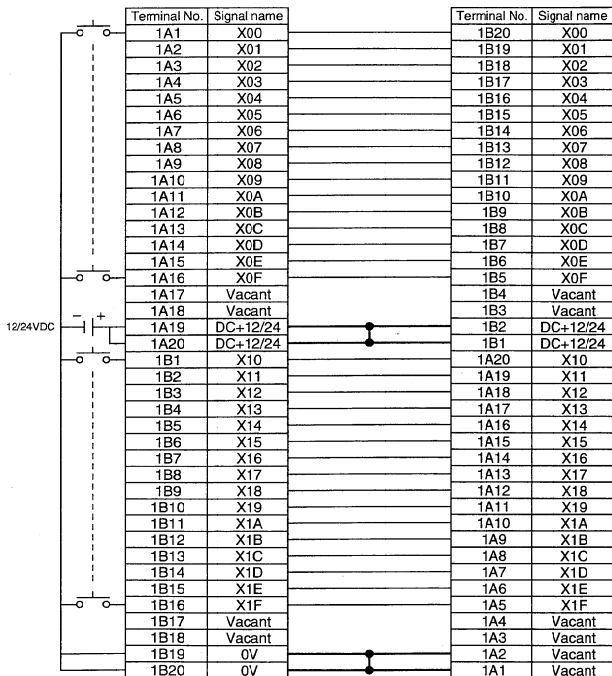


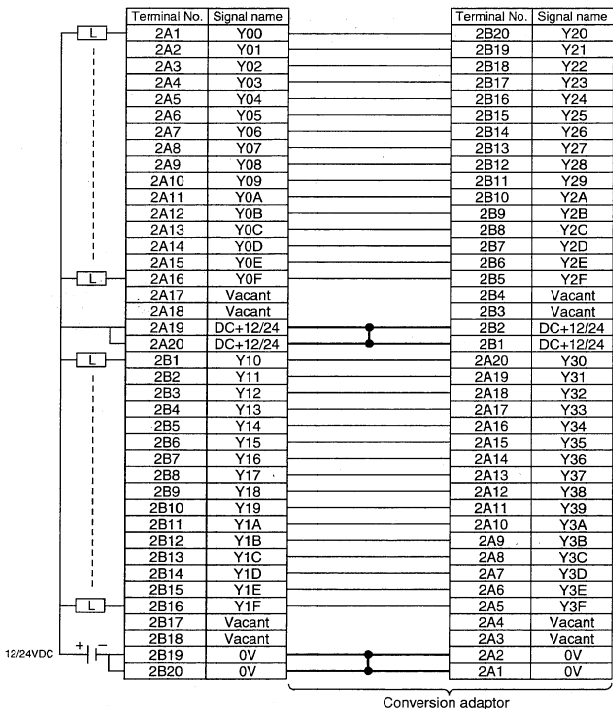


* There may be some gap between the AY42 and A6KA-CY42, but this does not cause any problem in the usage of the product.

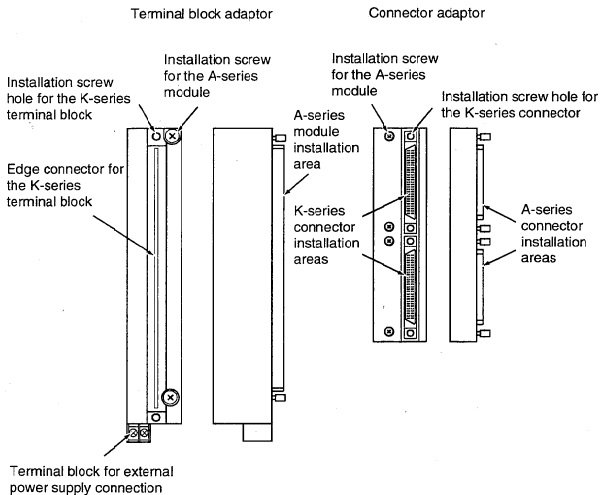
3.13 A6KA-CH32 Connection Figure

Adaptor name	K-series module name	Number of connection	A-series module name
A6KA-CH32	KH32	64 points	AH42





4. PART IDENTIFICATION



5. HANDLING

5.1 Precautions for Handling/Installation and Handling Method

- (1) Do not touch the terminal block or connector while the power is on. It may cause an electric shock and a malfunction.
- (2) Do not disassemble or reassemble the conversion adaptor. This may cause breakdowns, injury and fire.
- (3) Do not directly touch the conductive area of the conversion adaptor. Doing so may result in system malfunction or breakdowns.
- (4) When a terminal-block-type conversion adaptor is used, first remove the terminal block from the A-series side, then mount the conversion adaptor.

5.2 Installation Screws

Refer to the following table for the screw size and tightening torque when installing the conversion adaptor to the A-series module, and installing the connector or terminal block to the conversion adaptor:

Screw	Tightening torque range
Installation screw for the connector-type K/A conversion adaptor (M2.6 screw)	25 to 35N-cm (2.6 to 3.6kg-cm) (2.3 to 3.1lb-inch)
Installation screw for the K-series connector (M2.6 screw)	25 to 35N-cm (2.6 to 3.6kg-cm) (2.3 to 3.1lb-inch)
Installation screw for the terminal-block-type K/A conversion adaptor (M4 screw)	78 to 118N-cm (8 to 12kg-cm) (6.9 to 10.4lb-inch)
Installation screw for the K-series terminal block (M4 screw)	78 to 118N-cm (8 to 12kg-cm) (6.9 to 10.4lb-inch)

5.3 Restricted Matters for Using

The following list shows products that are restricted to use.

Model	Restricted matters
A6KA-TY10	The A-series output module requires a 24VDC external power supply. Connect the power supply to the terminal block for the external power supply connection on the conversion adaptor. Refer to the Building Block Type I/O Module User's Manual for the current capacity.
A6KA-TY10	
A6KA-TY13	
A6KA-TY41	If the load drive power supply voltage of 5V is used, there is no applicable A-series module models, so change the voltage to 12VDC or 24VDC.
A6KA-CY42	If the load drive power supply voltage of 5V is used, there is no applicable A-series module models, so change the voltage to 12VDC or 24VDC. Alternatively, use the AY42-S2 module.

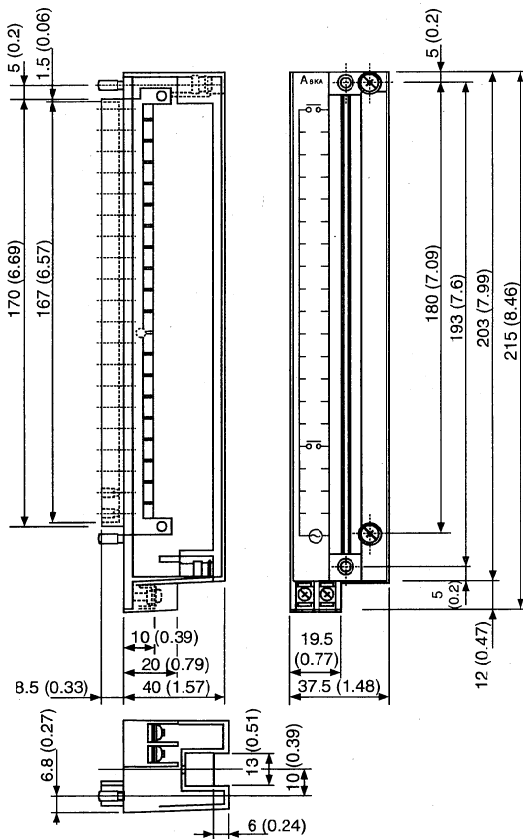
5.4 Terminal Block for External Power Supply Connection

When connecting the power supply to the terminal block for the external power supply connection, use the following values for the size of parts and tightening torque:

Applicable wire size	0.75 to 2mm ²
Applicable solderless terminal size	R1.25-3, R2-3, RAV1.25-3, RAV2-3
Tightening torque of the terminal screw (M3 screw)	39 to 59N-cm (4 to 6kg-cm) (3.5 to 5.2lb inch)

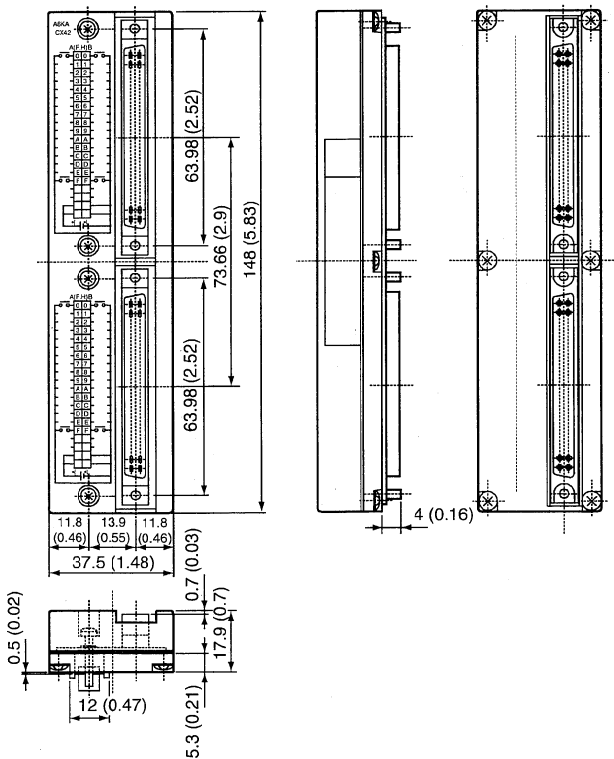
6. EXTERNAL DIMENSIONS DIAGRAM

6.1 Terminal-Block-Type Conversion Adaptor



Unit: mm (inch)

6.2 Connector-Type Conversion Adaptor



Unit: mm (inch)

The United States	Mitsubishi Electronics America, Inc., (Industrial Automation Division) 800 Biemann Court, Mt. Prospect, IL 60056. Phone : (708) 298-9223
Canada	Mitsubishi Electric Sales Canada, Inc., (Industrial Automation Division) 4299 14th Avenue, Markham, Ontario L3R OJ2 Phone : (416) 475-7728
United Kingdom	Mitsubishi Electric UK Ltd., (Industrial Sales Division) Travellers Lane, Hatfield, Herts., AL10 8XB Phone : (0707) 276100
Germany	Mitsubishi Electric Europe GmbH, (Industrial Automation Division) Gothaer Strasse 8, Postfach 1548, D-4030 Ratingen 1 Phone : (02102) 4860
Taiwan	Setsuyo Enterprise Co., Ltd., (106) 11th Fl., Chung-Ling Bldg., 363, Sec. 2, Fu-Hsing S. Rd., Taipei, Taiwan. R.O.C. Phone : (02) 732-0161
Hongkong (& China)	Ryoden International Ltd., (Industrial & Electrical Controls Division) 10/F., Manulife Tower, 169 Electric Rd., North Point, Hong Kong. Phone : 8878870
Singapore (& Malaysia)	MELCO Sales Singapore Pte. Ltd., (Industrial Division) 307 Alexandra Rd. #05-01/02, Mitsubishi Electric Bldg., Singapore 0315. Phone : 4732308
Thailand	F.A. Tech Co., Ltd., 1138/33-34 Rama 3 Rd., Yannawa, Bangkok 10120. Phone : (02) 295-2861-4
Australia	Mitsubishi Electric Australia Pty. Ltd., (Industrial Controls Division) 348 Victoria Rd., Rydalm ere, N.S.W. 2115. Phone : (02) 684-7200
Republic of South Africa	M.S.A. Manufacturing (Pty) Ltd., (Factory Automation Division) P.O. Box 39733, Bramley, Johannesburg 2018. Phone : (011) 444-8080



MITSUBISHI ELECTRIC CORPORATION

HEAD OFFICE: MITSUBISHI DENKI BLDG MARUNOUCHI-8 TOKYO 100 TELEX: J24532 CABLE MELCO TOKYO
NAGOYA WORKS: 1-14, YADA-MINAMI 5, HIGASHI-KU, NAGOYA, JAPAN

When exported from Japan, this manual does not require application to the Ministry of International Trade and Industry for service transaction permission.