

CL1Y4-T1C2
 CC-Link/LT Remote I/O Module

User's Manual

MODEL	CL1Y4-T1C2
MANUAL Number	JY997D10701E
Date	September 2008

●SAFETY PRECAUTIONS●

(Read these precautions before using)

Please read this manual carefully and pay special attention to safety in order to handle this product properly. Also pay careful attention to safety and handle the module properly.

These precautions apply only to Mitsubishi equipment. Refer to the user's manual of the CPU module to use for a description of the PLC system safety precautions.

These ●SAFETY PRECAUTIONS● classify the safety precautions into two categories: "DANGER" and "CAUTION".



Procedures which may lead to a dangerous condition and cause death or serious injury if not carried out properly.



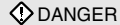
Procedures which may lead to a dangerous condition and cause superficial to medium injury, or physical damage only, if not carried out properly.

Depending on circumstances, procedures indicated by CAUTION may also be linked to serious results.

In any case, it is important to follow the directions for usage.

Store this manual in a safe place so that you can take it out and read it whenever necessary. Always forward it to the end user.

[DESIGN PRECAUTIONS]

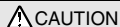


- Configure an interlock circuit in a sequence program so that the system operates on the safety side using the communication status information in the event the data link falls into a communication problem. Otherwise, erroneous output and malfunction may result in accidents.
- Remote input and output can not be switched ON or OFF when a problem occurs in the remote I/O modules. Therefore build an external monitoring circuit that will monitor any input signals that could cause a serious accident.



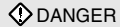
- Do not have control cables and connection cables bundled with or placed near by the main circuit and/or power cables. Wire those cables at least 100mm(3.94 inch) away from the main circuit and/or power cables. It may cause malfunction due to noise interference.
- Use the module and the connection cable without applying any force on them. Otherwise, such cables may be broken or fail.

[INSTALLATION PRECAUTIONS]

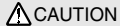


- Use the module in an environment that meets the general specifications contained in this manual. Using this module in an environment outside the range of the general specifications could result in electric shock, fire, erroneous operation, and damage to or deterioration of the product.
- Do not directly touch the module's conductive parts. Doing so could cause malfunction or trouble in the module.
- Tighten the module securely using DIN rail or installation screws within the specified torque range. If the screws are too loose, the module may drop from its installation position, short circuit, or malfunction. If the screws are too tight, the screws may be damaged, which may cause the module to drop from its installation position or short circuit.
- Install the module on a flat surface. If the mounting surface has concave and/or convex, an excessive force may be applied on the module, and nonconformity may be caused.

[WIRING PRECAUTIONS]

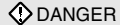


- Perform installation and wiring after disconnecting the power supply at all phases externally. If the power is not disconnected at all phases an electric shock or product damage may result.

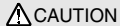


- Perform correct wiring for the module according to the product's rated voltage and terminal arrangement. Connecting to a power supply different from rating or miss-wiring may cause fire, product failure or malfunction.
- Make sure foreign objects do not get inside the module, such as dirt and wire chips. It may cause fire, product failure or malfunction.
- Attach a warning label (hazard symbol 417-IEC-5036) concerning the electric shock to the location.

[STARTING AND MAINTENANCE PRECAUTIONS]



- Do not touch the terminals when the power is ON. It may cause an electric shock or malfunction.
- Perform cleaning the module or retightening of terminal screws after turning OFF the all external power supply for sure. Failure to do so may cause failure or malfunction of the modules



- Do not disassemble or modify the module. Doing so may cause failure, malfunction, injury, or fire.
- The module case is made of resin; do not drop it or subject it to strong shock. A module damage may result.
- Make sure to switch all phases of the external power supply OFF before installing or removing the module to/from the panel. Failure to do so may cause failure or malfunction of the modules.

[DISPOSAL PRECAUTIONS]



- When disposing of this product, treat it as industrial waste.

[TRANSPORTATION AND MAINTENANCE PRECAUTIONS]



- During transportation avoid the impact which exceeds a regulated value as the module is a precision instrument. Doing so could cause trouble in the module.
- It is necessary to check the operation of module after transportation, in case of any impact damage. Otherwise, causes the damage of the machine and the accident.

●Note Concerning the CE Marking●

This note does not guarantee that an entire mechanical module produced in accordance with the contents of the notification comply with the following standards. Compliance to EMC standards of the entire mechanical module should be checked by the user / manufacturer.

Standards with which this product complies

Type : Programmable Controller (Open Type Equipment) Remote I/O module
 Models : Products manufactured:
 from February 1st, 2004 to April 30th, 2006 are compliant with EN61000-6-4 and EN61131-2:1994+A11:1996+A12:2000 after May 1st, 2006 are compliant with EN61131-2:2003

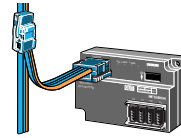
Electromagnetic Compatibility Standards (EMC)	Remark
EN61000-6-4:2001 Electromagnetic compatibility -Generic standards - Emission standard for Industrial environment	Compliance with all relevant aspects of the standard. (Radiated Emissions and Mains Terminal Voltage Emissions)
EN61131-2:1994/A11:1996/A12:2000 Programmable controllers -Equipment requirements and tests	Compliance with all relevant aspects of the standard. (RF Immunity, Fast transients, ESD and Damped oscillatory wave)
EN61131-2: 2003 Programmable controllers -Equipment requirements and tests	Compliance with all relevant aspects of the standard. (Radiated Emissions, Mains Terminal Voltage Emissions, RF immunity, Fast Transients, ESD, Surge, Voltage drops and interruptions, Conducted and Power magnetic fields)

For more details please contact the local Mitsubishi Electric sales site.

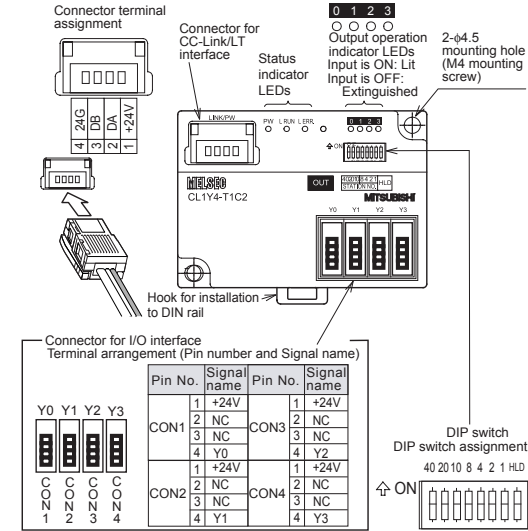
- Notes For compliance to EMC regulation.
 It is necessary to install the CL1 series module in a shielded metal control panel.

1. Outline of Product

This product is an open sensor connector type output module connected to CC-Link/LT.
 This product has four output points (transistor output).



2. Name and Setting of Each Part and Terminal Arrangement



Name	Description
PW	ON while the power is supplied.
L RUN	ON while normal operation is executed.
Status indicator LED	ON:When a communication error or DIP switch setting error occurred Flickering at a constant interval: When the setting of the DIP switch was changed while the power was supplied (even while the LED is flickering, the operation continues. The new setting becomes valid when the power is turned OFF once, then ON again.) Flickering at an intermittent interval: When a terminal resistor is not attached or when the module or a connection cable is affected by noise
Output operation indicator LEDs	ON while the output is ON. Extinguished while the output is OFF.
Interface	Connector for CC-Link/LT communication line/module power supply (24G/DB/DA/+24V)
Connector for I/O interface	sensor connector for connecting output signals The plug for the connector is an optional. The size of the acceptable electric wire is different according to the plug for the connector used.

Name	Description																								
DIP switch *	Set the 10's digit of the station No. using "STATION NO. 10", "STATION NO. 20" and "STATION NO. 40". Set the 1's digit of the station No. using "STATION NO. 1", "STATION NO. 2", "STATION NO. 4" and "STATION NO. 8". Factory default = All bits are OFF. Make sure to set the station No. in the range from 1 to 64. If any station No. outside the range from 1 to 64 is set, it is regarded as an error and the L ERR. LED lights. Example: When setting the station No. to "32", set the DIP switch as follows. <table border="1"> <thead> <tr> <th>Station No.</th> <th>10's digit</th> <th>1's digit</th> </tr> </thead> <tbody> <tr> <td>40</td> <td>ON</td> <td>ON</td> </tr> <tr> <td>20</td> <td>OFF</td> <td>ON</td> </tr> <tr> <td>10</td> <td>ON</td> <td>OFF</td> </tr> <tr> <td>8</td> <td>OFF</td> <td>OFF</td> </tr> <tr> <td>4</td> <td>OFF</td> <td>ON</td> </tr> <tr> <td>2</td> <td>OFF</td> <td>OFF</td> </tr> <tr> <td>1</td> <td>OFF</td> <td>OFF</td> </tr> </tbody> </table>	Station No.	10's digit	1's digit	40	ON	ON	20	OFF	ON	10	ON	OFF	8	OFF	OFF	4	OFF	ON	2	OFF	OFF	1	OFF	OFF
Station No.	10's digit	1's digit																							
40	ON	ON																							
20	OFF	ON																							
10	ON	OFF																							
8	OFF	OFF																							
4	OFF	ON																							
2	OFF	OFF																							
1	OFF	OFF																							
HLD	Holds the output (when an error has occurred). ON : Holds the output. OFF : Clears the output.																								

* Set up using a slotted screwdriver with a tip width of 0.9 mm or less.

3. Installation

The CL1Y4-T1C2 can be installed to DIN rail or directly installed using mounting screws.

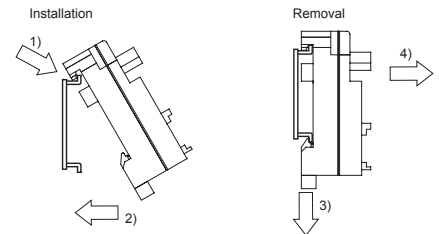
Each installation procedure is described below.

3.1 Installation to DIN rail

When installing the module, align the upper DIN rail installation groove on the module with the DIN rail 1), and press the module on to the DIN rail 2). When removing the module, pull the hook downward for installation to DIN rail 3), then remove the module 4).

DIN rail mounting screw pitch

When installing the module to the DIN rail, tighten the mounting screws at the pitch of 200mm(7.87") or less.



Applicable DIN rail	TH35-7.5Fe and TH35-7.5Al Width:35mm
---------------------	---

3.2 Direct installation

Screw-tighten the module by attaching M4 screws to the upper and lower mounting holes (two holes in all) provided in the module. Install the module so that the clearance of 1 to 2mm (0.04" to 0.08") is assured for each module.

Applicable screw	M4 × 0.7mm(0.03") × 16mm(0.63") or more (Tightening torque range: 78 to 108 N-cm)
------------------	--

4. Wiring

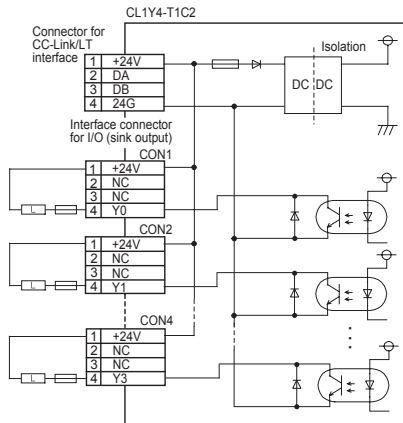
4.1 Connecting and wiring of connector for I/O interface

Wire the connector for I/O interface (e-CON) according to the following procedure:

- Verify that the plug cover is installed in the plug unit.
 - Caution: Do not push the plug cover into the plug unit before the cable is inserted. Once a plug is pressure-displaced, it can no longer be reused.
- Insert the cable until it makes contact with the plug unit.
 - When inserting the cable, confirm that it has been inserted completely. If the cable is not inserted completely, it may cause contact failures.
 - If the cross section of the cable is not round, the cable cannot be inserted smoothly. Cut the cable tip using pliers, etc., and make it as round as possible, then insert it.
 - When inserting the cable, the cable may stick out from the front of the cover. In such a case, pull the cable backward so that the tip of the cable stays within the plug cover.
- Using a pliers or special tool, push the plug cover into the plug unit, and pressure-displace it. After performing pressure displacement, verify that the plug cover is securely attached to the plug unit, as shown in the figure at right.
 - While performing pressure displacement, the plug cover may rise because it is not latched against the plug unit correctly. This condition indicates that pressure displacement is incomplete. Push the plug cover until it is securely installed in the plug unit.

4.2 External wiring

The output terminals of the CL1Y4-T1C2 are fixed to the sink output.



5. Specifications

5.1 General specifications

Item	Specification			
Ambient working temperature	0 to 55°C (32 to 131°F)			
Ambient storage temperature	-25 to 75°C (-13 to 167°F)			
Ambient operating humidity	5 to 95%RH: Dew condensation shall not be considered.			
Ambient storage humidity	5 to 95%RH: Dew condensation shall not be considered.			
Vibration resistance	When intermittent vibration is present		Number of times of sweep 10 times in each of X, Y and Z directions (for 80 min)	
	Frequency	Acceleration		Half amplitude
	10 to 57Hz	—		0.075mm
	57 to 150Hz	9.8m/s ²		—
	When continuous vibration is present			
	Frequency	Acceleration		Half amplitude
10 to 57Hz	—	0.035mm		
57 to 150Hz	4.9m/s ²	—		
Impact resistance	147 m/s ² , 3 times in each of X, Y and Z directions			
Operating atmosphere	Corrosive gas shall not be present.			
Operating altitude	2,000m(6561'8") or less (*1)			
Installation place	Inside control panel (*2)			
Over-voltage category	II or less (*3)			
Degree of contamination	2 or less (*4)			

Notes:

- The module cannot be used in an environment pressurized above the atmospheric pressure which can be generated around the altitude of 0 m. If the module is used in such an environment, it may fail.
- The module can be used in any environment even outside the control panel as far as the requirements of the ambient operating temperature, the ambient operating humidity, etc. are satisfied.
- This indicates the section of the power supply to which the equipment is assumed to be connected between the public electrical power distribution network and the machinery within premises. Category II applies to equipment for which electrical power is supplied from fixed facilities. The surge voltage withstand level for up to the rated voltage of 300V is 2500V.
- This index indicates the degree of conductive generating substances in the environment in which the module is used. The degree of contamination 2 indicates that contamination is caused by generation of only non-conductive substances. In this degree, however, temporary conduction may be caused by accidental condensation.

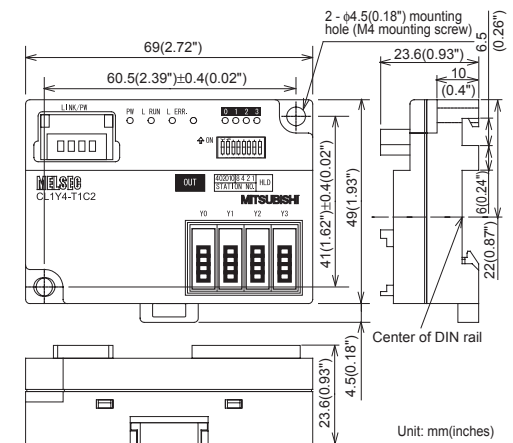
5.2 Output specifications

Item	Specification
Output method	Transistor output (Power supply supplied from CC-Link/LT interface) (sink)
Number of outputs	4 points
Isolation method	Isolation with photocoupler
Rated load voltage	24V DC
Operating load voltage range	20.4 to 28.8V DC (Ripple ratio: Within 5%)
Max. load current	0.1A/point, 0.4 A/1 common
Max. inrush current	0.4A/10 ms
Leakage current at OFF	0.1mA or less
Max. voltage drop at ON	0.3V or less (typical)/0.1A 0.6V or less (max.)/0.1A
Response time	OFF→ON
	ON→OFF
Surge suppression	Zener diode
Common wiring method	4 points/1 common (sensor connector 3-wire type)
Internal protection for outputs	Internal protection circuit none Please connect the fuse in the connected load outside.

5.3 Performance specifications

Item	Specification	
Module power supply	Voltage	20.4 to 28.8V DC (24V DC -15% to +20%) Ripple ratio: Within 5%
	Current consumption	60mA (when all points are ON)
	Initial current	70mA
	Max. allowable momentary power failure period	PS1:1ms
Number of stations occupied	4-, 8- or 16-point mode: 1 station	
Noise durability	500Vp-p Noise width: 1μs Cycle: 25 to 60 Hz (by noise simulator)	
Withstand voltage	500V AC for 1 min between primary area (external DC terminal) and secondary area (internal circuit)	
Isolation resistance	10 MΩ or more between primary area (external DC terminal) and secondary area (internal circuit) by 500V DC megger	
Protection class	IP2X	
I/O part connection method	Connection with terminal block	
Module installation method	DIN rail installation, mounted by screws of type M4 × 0.7mm(0.03") × 16mm(0.63") or larger Can be installed in six directions	
Mass (weight)	0.04 kg (0.09 lbs)	

6. Outside Dimensions



This manual confers no industrial property rights or any rights of any other kind, nor does it confer any patent licenses. Mitsubishi Electric Corporation cannot be held responsible for any problems involving industrial property rights which may occur as a result of using the contents noted in this manual.

Warranty

Mitsubishi will not be held liable for damage caused by factors found not to be the cause of Mitsubishi; machine damage or lost profits caused by faults in the Mitsubishi products; damage, secondary damage, accident compensation caused by special factors unpredictable by Mitsubishi; damages to products other than Mitsubishi products; and to other duties.

For safe use

- This product has been manufactured as a general-purpose part for general industries, and has not been designed or manufactured to be incorporated in a device or system used in purposes related to human life.
- Before using the product for special purposes such as nuclear power, electric power, aerospace, medicine or passenger movement vehicles, consult with Mitsubishi.
- This product has been manufactured under strict quality control. However when installing the product where major accidents or losses could occur if the product fails, install appropriate backup or failsafe functions in the system.

Country/Region	Sales office/Tel	Country/Region	Sales office/Tel
U.S.A.	Mitsubishi Electric Automation, Inc. 500 Corporate Woods Parkway, Vernon Hills, IL 60061 U.S.A. Tel : +1-847-478-2100	Hong Kong	Mitsubishi Electric Automation (Hong Kong) Ltd. 10th Floor, Manulife Tower, 169 Electric Road, North Point, Hong Kong Tel : +852-2887-8870
Brazil	MELCO-TEC Av. Paulista 1439, conj.74, Beta Vista CEP: 01311-200 Sao Paulo-SP-Brazil Tel : +55-11-3285-1840	China	Mitsubishi Electric Automation (Shanghai) Ltd. 17F, ChuangKing Financial Center, No. 288 West Nanjing Road, Shanghai China 200003 Tel : +86-21-2322-3030
Germany	Mitsubishi Electric Europe B.V. German Branch Gothaer Strasse 8, D-40880 Ratingen, Germany Tel : +49-2102-486-0	Taiwan	Setsuyo Enterprises Co., Ltd. 6F No.105 Wu Kung 3rd RD, Wu-Ku Hsiang, Taipei Hsein, 248, Taiwan Tel : +886-2-2299-2499
U.K.	Mitsubishi Electric Europe B.V. UK Branch Travellers Lane, Hatfield, Hertfordshire, AL10 8XB, U.K. Tel : +44-1707-276100	Korea	Mitsubishi Electric Automation Korea Co., Ltd. 3F, 1480-6, Gayang-Dong, Gangseo-Gu, Seoul, 157-200, Korea Tel : +82-2-3609-9552
Italy	Mitsubishi Electric Europe B.V. Italian Branch VIALE COLLEONI 7-20041 Agrate Brianza (Milano), Italy Tel : +390-39-60531	Singapore	Mitsubishi Electric Asia Pte, Ltd. 307 Alexandra Road #05-01/02 Mitsubishi Electric Building, Singapore 159943 Tel : +65-6470-2460
Spain	Mitsubishi Electric Europe B.V. Spanish Branch C/ra. de Rub. 76-80-AC, 420, E-08190 Sant Cugat del Valles (Barcelona), Spain Tel : +34-93-565-3131	Thailand	Mitsubishi Electric Automation (Thailand) Co., Ltd. Bang-Chan Industrial Estate No.111, Soi Senbhai 54, T.Kanayao, A.Kanayao, Bangkok 10230 Tel : +66-2-517-1326
France	Mitsubishi Electric Europe B.V. French Branch 25, Boulevard des Bouvets, F-92741 Nanterre Cedex, France Tel : +33-1-55695569	India	Messung Systems Pvt. Ltd. Sapphire House EL-3 J-Block MIDC Bhosap Pune 411026, India Tel : +91-20-27102000
Russia	Mitsubishi Electric Europe B.V. Moscow Representative Office 52, Blvd. 5, Kosmodiamianskaya nab, RU-115054, Moscow, Russia Tel : +7-495-721-2070	Australia	Mitsubishi Electric Australia Pty, Ltd. 345 Victoria Road, Rydalmere, N.S.W 2116, Australia Tel : +61-2-9684-7777
		South Africa	Circuit Breaker Industries Ltd. Private Bag 2016, ZA-1600 Isando, South Africa Tel : +27-11-9282000

MITSUBISHI ELECTRIC CORPORATION

HEAD OFFICE : TOKYO BUILDING, 2-7-3 MARUNOUCHI, CHIYODA-KU, TOKYO 100-8310, JAPAN
HIMEJI WORKS : 840, CHIYODA CHO, HIMEJI, JAPAN

When exported from Japan, this manual does not require application to the Ministry of Economy, Trade and Industry for service transaction permission.

Specifications subject to change without notice.

CL1Y4-T1C2
CC-Link/LT Remote I/O Module

Please read this manual thoroughly before starting to use the product and handle the product properly.

User's Manual

MODEL	CL1Y4-T1C2
MANUAL Number	JY99D10701E
Date	September 2008

SAFETY PRECAUTIONS
 (Read these precautions before using)

Please read this manual carefully and pay special attention to safety information in the event the data link falls into a communication problem.
 These **SAFETY PRECAUTIONS** classify the safety precautions into two categories: "DANGER" and "CAUTION".

Procedures which may lead to a dangerous condition and cause death or serious injury if not carried out properly.

Procedures which may lead to a dangerous condition and cause superficial to medium injury, or physical damage only, if not carried out properly.

DANGER

CAUTION

Depending on circumstances, procedures indicated by **CAUTION** may also be linked to serious results. In any case, it is important to follow the directions for usage. Store this manual in a safe place so that you can take it out and read it whenever necessary. Always forward it to the end user.

DESIGN PRECAUTIONS

DANGER

- Configure an interlock circuit in a sequence program so that the system operates on the safety side using the communication status information in the event the data link falls into a communication problem. Otherwise, erroneous output and malfunction may result in accidents.
- Remote input and output can not be switched ON or OFF when a problem occurs in the remote I/O modules. Therefore build an external monitoring circuit that will monitor any input signals that could cause a serious accident.

CAUTION

- Do not have control cables and connection cables bundled with or placed near by the main circuit and/or power cables. Wire those cables at least 100mm(3.94 inch) away from the main circuit and/or power cables. It may cause malfunction due to noise interference.
- Use the module and the connection cable without applying any force on them. Otherwise, such cables may be broken or fail.

INSTALLATION PRECAUTIONS

CAUTION

- Use the module in an environment that meets the general specifications contained in this manual. Using this module in an environment outside the range of the general specifications could result in electric shock, fire, erroneous operation, and damage to or deterioration of the product.
- Do not directly touch the module's conductive parts. Doing so could cause malfunction or trouble in the module.
- Tighten the module securely using DIN rail or installation screws within the specified torque range. If the screws are too loose, the module may drop from its installation position, short circuit, or malfunction. If the screws are too tight, the screws may be damaged, which may cause the module to drop from its installation position or short circuit.
- Install the module on a flat surface. If the mounting surface has concave and/or convex, an excessive force may be applied on the module, and nonconformity may be caused.

WIRING PRECAUTIONS

DANGER

- Perform installation and wiring after disconnecting the power supply at all phases externally. If the power is not disconnected at all phases an electric shock or product damage may result.

CAUTION

- Perform correct wiring for the module according to the product's rated voltage and terminal arrangement. Connecting to a power supply different from rating or miss-wiring may cause fire, product failure or malfunction.
- Make sure foreign objects do not get inside the module, such as dirt and wire chips. It may cause fire, product failure or malfunction.
- Attach a warning label (hazard symbol 417-IEC-5036) concerning the electric shock to the location.

(STARTING AND MAINTENANCE PRECAUTIONS)

DANGER

- Do not touch the terminals when the power is ON. It may cause an electric shock or malfunction.
- Perform cleaning the module or retightening of terminal screws after turning OFF the all external power supply for sure. Failure to do so may cause failure or malfunction of the modules.

CAUTION

- Do not disassemble or modify the module. Doing so may cause failure, malfunction, injury, or fire.
- The module case is made of resin; do not drop it or subject it to strong shock. A module damage may result.
- Make sure to switch all phases of the external power supply OFF before installing or removing the module to/from the panel. Failure to do so may cause failure or malfunction of the modules.

(DISPOSAL PRECAUTIONS)

DANGER

- When disposing of this product, treat it as industrial waste.

(TRANSPORTATION AND MAINTENANCE PRECAUTIONS)

CAUTION

- During transportation avoid the impact which exceeds a regulated value as the module is a precision instrument. Doing so could cause trouble in the module.
- It is necessary to check the operation of module after transportation, in case of any impact damage. Otherwise, causes the damage of the machine and the accident.

Note Concerning the CE Marking

This note does not guarantee that an entire mechanical module produced in accordance with the contents of the notification comply with the following standards. Compliance to EMC standards of the entire mechanical module should be checked by the user / manufacturer.

Standards with which this product complies

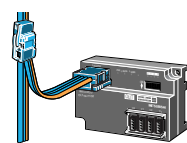
Type : Programmable Controller (Open Type Equipment) Remote I/O module
 Models : Products manufactured from February 1st, 2004 to April 30th, 2006 are compliant with EN61000-6-4 and EN61131-2:1994+A11:1996+A12:2000 after May 1st, 2006 are compliant with EN61131-2:2003

Electromagnetic Compatibility Standards (EMC)	Remark
EN61000-6-4:2001 - Electromagnetic compatibility - Generic standards - Emission standard for Industrial environment	Compliance with all relevant aspects of the standard. (Radiated Emissions and Mains Terminal Voltage Emissions)
EN61131-2:1994/A11:1996/A12:2000 Programmable controllers - Equipment requirements and tests	Compliance with all relevant aspects of the standard. (RF Immunity, Fast Transients, ESD and Damped oscillatory wave)
EN61131-2: 2003 Programmable controllers - Equipment requirements and tests	Compliance with all relevant aspects of the standard. (Radiated Emissions, Mains Terminal Voltage Emissions, RF Immunity, Fast Transients, ESD, Surge, Voltage drops and interruptions, Conducted and Power magnetic fields)

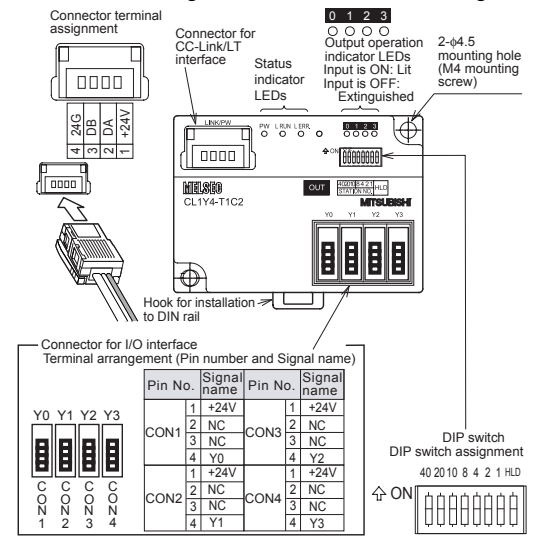
For more details please contact the local Mitsubishi Electric sales site.
 - Notes For compliance to EMC regulation. It is necessary to install the CL1 series module in a shielded metal control panel.

1. Outline of Product

This product is an open sensor connector type output module connected to CC-Link/LT. This product has four output points (transistor output).



2. Name and Setting of Each Part and Terminal Arrangement



Name	Description
Status indicator LED	PW ON while the power is supplied. L RUN ON while normal operation is executed.
	L ERR. Flickering at a constant interval: When the setting of the DIP switch was changed while the power was supplied (even while the LED is flickering, the operation continues. The new setting becomes valid when the power is turned OFF once, then ON again.) Flickering at an intermittent interval: When a terminal resistor is not attached or when the module or a connection cable is affected by noise
Output operation indicator LEDs	ON while the output is ON. Extinguished while the output is OFF.
Interface	Connector for CC-Link/LT communication line/module power supply (24G/DB/DA/+24V)
Connector for I/O interface	sensor connector for connecting output signals The plug for the connector is an optional. The size of the acceptable electric wire is different according to the plug for the connector used.

4. Wiring

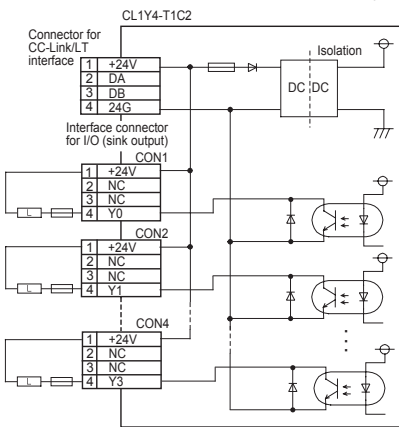
4.1 Connecting and wiring of connector for I/O interface

Wire the connector for I/O interface (e-CON) according to the following procedure:

- Verify that the plug cover is installed in the plug unit.
Caution: Do not push the plug cover into the plug unit before the cable is inserted. Once a plug is pressure-displaced, it can no longer be reused.
- Insert the cable until it makes contact with the plug unit.
- When inserting the cable, confirm that it has been inserted completely. If the cable is not inserted completely, it may cause contact failures.
- If the cross section of the cable is not round, the cable cannot be inserted smoothly. Cut the cable tip using pliers, etc., and make it as round as possible, then insert it.
- When inserting the cable, the cable may stick out from the front of the cover. In such a case, pull the cable backward so that the tip of the cable stays within the plug cover.
- Using a pliers or special tool, push the plug cover into the plug unit, and pressure-displace it. After performing pressure displacement, verify that the plug cover is securely attached to the plug unit, as shown in the figure at right.
- While performing pressure displacement, the plug cover may rise because it is not latched against the plug unit correctly. This condition indicates that pressure displacement is incomplete. Push the plug cover until it is securely installed in the plug unit.

4.2 External wiring

The output terminals of the CL1Y4-T1C2 are fixed to the sink output.



5. Specifications

5.1 General specifications

Item	Specification	
Ambient working temperature	0 to 55°C (32 to 131°F)	
Ambient storage temperature	-25 to 75°C (-13 to 167°F)	
Ambient operating humidity	5 to 95%RH: Dew condensation shall not be considered.	
Ambient storage humidity	5 to 95%RH: Dew condensation shall not be considered.	
Vibration resistance	When intermittent vibration is present	
	Frequency Acceleration Half amplitude	Number of times of sweep 10 times in each of X, Y and Z directions (for 80 min)
	10 to 57Hz - 0.075mm	
	57 to 150Hz 9.8m/s ² -	
When continuous vibration is present		
Frequency Acceleration Half amplitude		
10 to 57Hz - 0.035mm		
57 to 150Hz 4.9m/s ² -		
Impact resistance	147 m/s ² , 3 times in each of X, Y and Z directions	
Operating atmosphere	Corrosive gas shall not be present.	
Operating altitude	2,000m(6561'8") or less (*1)	
Installation place	Inside control panel (*2)	
Over-voltage category	II or less (*3)	
Degree of contamination	2 or less (*4)	

Notes:

- The module cannot be used in an environment pressurized above the atmospheric pressure which can be generated around the altitude of 0 m. If the module is used in such an environment, it may fail.
- The module can be used in any environment even outside the control panel as far as the requirements of the ambient operating temperature, the ambient operating humidity, etc. are satisfied.
- This indicates the section of the power supply to which the equipment is assumed to be connected between the public electrical power distribution network and the machinery within premises. Category II applies to equipment for which electrical power is supplied from fixed facilities. The surge voltage withstand level for up to the rated voltage of 300V is 2500V.
- This index indicates the degree of conductive generating substances in the environment in which the module is used. The degree of contamination 2 indicates that contamination is caused by generation of only non-conductive substances. In this degree, however, temporary conduction may be caused by accidental condensation.

5.2 Output specifications

Item	Specification
Output method	Transistor output (Power supply supplied from CC-Link/LT interface) (sink)
Number of outputs	4 points
Isolation method	Isolation with photocoupler
Rated load voltage	24V DC
Operating load voltage range	20.4 to 28.8V DC (Ripple ratio: Within 5%)
Max. load current	0.1A/point, 0.4 A/1 common
Max. inrush current	0.4A/10 ms
Leakage current at OFF	0.1mA or less
Max. voltage drop at ON	0.3V or less (typical)/0.1A 0.6V or less (max.)/0.1A
Response time	OFF→ON 1.0ms or less ON→OFF 1.0ms or less
Surge suppression	Zener diode
Common wiring method	4 points/1 common (internal connector 3-wire type)
Internal protection for outputs	Internal protection circuit none Please connect the fuse in the connected load outside.

5.3 Performance specifications

Item	Specification
Module power supply	Voltage 20.4 to 28.8V DC (24V DC -15% to +20%) Ripple ratio: Within 5%
	Current consumption 60mA (when all points are ON)
	Initial current 70mA
	Max. allowable momentary power failure period PS1:1ms
Number of stations occupied	4-, 8- or 16-point mode: 1 station
Noise durability	500Vp-p Noise width: 1µs Cycle: 25 to 60 Hz (by noise simulator)
Withstand voltage	500V AC for 1 min between primary area (external DC terminal) and secondary area (internal circuit)
Isolation resistance	10 MΩ or more between primary area (external DC terminal) and secondary area (internal circuit) by 500V DC megger
Protection class	IP2X
I/O part connection method	Connection with terminal block DIN rail installation, mounted by screws of type M4 × 0.7mm(0.03") × 16mm(0.63") or larger Can be installed in six directions
Mass (weight)	0.04 kg (0.09 lbs)

Name	Description																
DIP switch *	Set the 10's digit of the station No. using "STATION NO. 10", "STATION NO. 20" and "STATION NO. 40". Set the 1's digit of the station No. using "STATION NO. 1", "STATION NO. 2", "STATION NO. 4" and "STATION NO. 8". Factory default = All bits are OFF. Make sure to set the station No. in the range from 1 to 64. If any station No. outside the range from 1 to 64 is set, it is regarded as an error and the L ERR. LED lights. Example: When setting the station No. to "32", set the DIP switch as follows. <table border="1"> <tr> <td>Station No.</td> <td>40</td> <td>20</td> <td>10</td> <td>8</td> <td>4</td> <td>2</td> <td>1</td> </tr> <tr> <td></td> <td>OFF</td> <td>ON</td> <td>ON</td> <td>OFF</td> <td>OFF</td> <td>ON</td> <td>OFF</td> </tr> </table>	Station No.	40	20	10	8	4	2	1		OFF	ON	ON	OFF	OFF	ON	OFF
Station No.	40	20	10	8	4	2	1										
	OFF	ON	ON	OFF	OFF	ON	OFF										
HLD	Holds the output (when an error has occurred). ON : Holds the output. OFF : Clears the output.																

* Set up using a slotted screwdriver with a tip width of 0.9 mm or less.

3. Installation

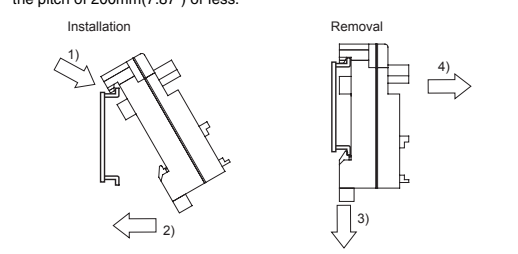
The CL1Y4-T1C2 can be installed to DIN rail or directly installed using mounting screws. Each installation procedure is described below.

3.1 Installation to DIN rail

When installing the module, align the upper DIN rail installation groove on the module with the DIN rail 1), and press the module on to the DIN rail 2). When removing the module, pull the hook downward for installation to DIN rail 3), then remove the module 4).

DIN rail mounting screw pitch

When installing the module to the DIN rail, tighten the mounting screws at the pitch of 200mm(7.87") or less.



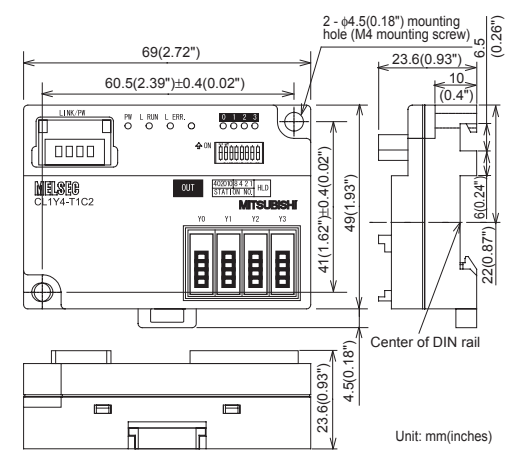
Applicable DIN rail	TH35-7.5Fe and TH35-7.5Al Width:35mm
---------------------	---

3.2 Direct installation

Screw-tighten the module by attaching M4 screws to the upper and lower mounting holes (two holes in all) provided in the module. Install the module so that the clearance of 1 to 2mm (0.04" to 0.08") is assured for each module.

Applicable screw	M4 × 0.7mm(0.03") × 16mm(0.63") or more (Tightening torque range: 78 to 108 N-cm)
------------------	--

6. Outside Dimensions



This manual confers no industrial property rights or any rights of any other kind, nor does it confer any patent licenses. Mitsubishi Electric Corporation cannot be held responsible for any problems involving industrial property rights which may occur as a result of using the contents noted in this manual.

Warranty

Mitsubishi will not be held liable for damage caused by factors found not to be the cause of Mitsubishi; machine damage or lost profits caused by faults in the Mitsubishi products; damage, secondary damage, accident compensation caused by special factors unpredictable by Mitsubishi; damages to products other than Mitsubishi products; and to other duties.

For safe use

- This product has been manufactured as a general-purpose part for general industries, and has not been designed or manufactured to be incorporated in a device or system used in purposes related to human life.
- Before using the product for special purposes such as nuclear power, electric power, aerospace, medicine or passenger movement vehicles, consult with Mitsubishi.
- This product has been manufactured under strict quality control. However when installing the product where major accidents or losses could occur if the product fails, install appropriate backup or failsafe functions in the system.

Country/Region	Sales office/Tel	Country/Region	Sales office/Tel
U.S.A.	Mitsubishi Electric Automation, Inc. 500 Corporate Woods Parkway, Vernon Hills, IL 60061 U.S.A. Tel: +1-847-478-2100	Hong Kong	Mitsubishi Electric Automation (Hong Kong) Ltd. 10th Floor, Manulife Tower, 169 Electric Road, North Point, HongKong Tel: +852-2867-8670
Brazil	MELCO-TEC Av. Paulista 1430, conj.74, Bela Vista CEP: 01311-200 Sao Paulo-SP-Brazil Tel: +55-11-3285-1940	China	Mitsubishi Electric Automation (Shanghai) Ltd. 17F, ChuangXing Financial Center, No. 288 West Nanjing Road, Shanghai China 200003 Tel: +86-21-2322-3030
Germany	Mitsubishi Electric Europe B.V. German Branch Gothaer Strasse 6, D-40880 Ratingen, Germany Tel: +49-2102-488-0	Taiwan	Setuqng Enterprise Co., Ltd. 6F No. 105 Wu Kung 3rd Rd, Wu-Ku Hsiang, Taipei Hsien, 248, Taiwan Tel: +886-2-2259-2499
U.K.	Mitsubishi Electric Europe B.V. UK Branch Travelers Lane, Hatfield, Hertfordshire, AL10 8XB, U.K. Tel: +44-1707-276100	Korea	Mitsubishi Electric Automation Korea Co., Ltd. 3F, 1480-6, Gayang-Dong, Gyeongse-Gu, Seoul, 157-200, Korea Tel: +82-2-969-8552
Italy	Mitsubishi Electric Europe B.V. Italian Branch VIALE COLLEONI 7-20041 Agrate Brianza (Milano), Italy Tel: +39-039-60531	Singapore	Mitsubishi Electric Asia Pte., Ltd. 307 Alexandra Road #05-01/02 Mitsubishi Electric Building, Singapore 159943 Tel: +65-6470-2469
Spain	Mitsubishi Electric Europe B.V. Spanish Branch Ctra. de Rub 76-80-AC, 420, E-08190 Sant Cugat del Valles (Barcelona), Spain Tel: +34-93-565-5131	Thailand	Mitsubishi Electric Automation (Thailand) Co., Ltd. Bang-Chan Industrial Estate No.111, Soi Serthai 54, T.Kamanyao, A.Kamanyao, Bangkok 10230 Tel: +66-2-517-1326
France	Mitsubishi Electric Europe B.V. French Branch 25, Boulevard des Bouvets, F-92741 Nanterre Cedex, France Tel: +33-1-5565-5568	India	Mitsubishi System Pte. Ltd. Sagphire House EL-3 J-Block MDC Bhasani Pune 411026, India Tel: +91-20-2710300
Russia	Mitsubishi Electric Europe B.V. Moscow Representative Office 62, 6st 5, Kosimostyanskiy nab, RU-115054, Moscow, Russia Tel: +7-495-721-2070	Australia	Mitsubishi Electric Australia Pty. Ltd. 245 Victoria Road, Rydalmere, N.S.W 2115, Australia Tel: +61-2-9684-7777
		South Africa	Circuit Breaker Industries Ltd. Private Bag 2016, ZA-1600 Isando, South Africa Tel: +27-11-9282000

When exported from Japan, this manual does not require application to the Ministry of Economy, Trade and Industry for service translation permission.
 Specifications subject to change without notice.